



Military-grade extrusion ensures a high tolerance for shock and vibration

IP66 rated, can be used in wet location

Can function as a power supply

Fast and accurate charging



Rugged and reliable

Visual indicators for operation and errors

2 YEAR WARRANTY



BCA1505MW
AC SOURCE SEALED BATTERY CHARGER

The BCA1505MW battery charger provides up to 1500 watts to charge a one or two bank battery system at 12, 24, 32, 48 or 72 volts from a 110 or 220 VAC source. The batteries must share a common ground.

This innovative design uses a pair of IP68 rated fans to cool the exterior of the enclosure, allowing full power operation of the charger while maintaining IP66 water and dust resistance.

The recently updated single board design incorporates state of the art switch- mode technology for unmatched efficiency and ultraquiet operation. Multiple stages of filtering reduce radiated and conducted noise to very low levels. Extra features include visual indicators for low input voltage, charging and over-temperature.

Available models

12	24	32	48	72
----	----	----	----	----

Applications



BCA1505MW | AC SOURCE SEALED BATTERY CHARGER

INPUT

Nominal (ip)	110 and 220 (auto switching)
Actual (Vac)	90-130 and 180 - 280
Input Amps	16.2 (at 90 VAC in)
Input Breaker	25A Magnetic
Input Frequency	45 - 405 Hz
Noise on Input	< 50 mV

OUTPUT

Output Nominal (op)	12 VDC	24 VDC	36 VDC	48 VDC	72 VDC
Output Volts (DC) (Float)	13.6 ± 0.05	27.2 ± 0.05	36.3 ± 0.15	54.4 ± 0.2	72.5 ± 0.3
Float Adjust	+/- 0.5 V	+/- 1.0 V	+/- 1.5 V	+/- 2.0 V	+/- 3.0 V
Charging Amps	100	60	45	30	20
Battery Banks	1	1 or 2	1 or 2	1 or 2	1 or 2
Recommended Battery Capacity (Amp Hrs.)	200 - 600	100 - 300	75 - 200	50 - 150	40 - 120
Output Overvoltage Protection Crowbar	17.0 ± 0.5V	34.0 ± 1.0V	45.0 ± 0.5V	68.0 ± 2.0V	90.0 ± 3.0V
Temperature Compensation Coefficient	-30 mV / °C	-60 mV / °C	-80 mV / °C	-120 mV / °C	-160 mV / °C
Duty Cycle	Continuous 100% for 24 hours per day				
Efficiency	> 80% @ Maximum Output				
Stages	2 or 3				

MECHANICAL

Dimensions	18.5 in / 47.0 cm Long x 9.7 in / 24.6 cm Wide x 5.5 in / 14.0 cm High (incl. handle)
Clearance	1.0 in / 2.5cm all around
Weight	21.7 lb / 9.9 kg
Packaging	Watertight - Fully sealed to IPS66 (IP67 Optional)
Material and Finish	Marine Grade Black Anodized Aluminum with 18-8 Stainless Fasteners
Connections	Input - Amphenol PT07A-3P(027) c/w cap Output - Amphenol GTS07R-20-19S(027)(RDS) c/w cap Temperature - Amphenol PT07A-8-4S(027) c/w cap
Shock and Vibration	Designed to meet MIL810G

ENVIRONMENTAL AND SAFETY

Operating Temperature Range	40°C to +50°C @ maximum output. Derate Linearly 2.5% per °C from 50°C
Humidity	0 - 95% Relative Humidity (non-condensing) with standard conformal coating
Emissions	Designed to meet MIL461F
Isolation	Input-Case, Input-Output, Output-Case 1500VDC
Audible Noise	Ødb @ 3 ft (40 dB when fans operating)
Typical Service Life	> 10 years (87,600 hrs)
Duty Cycle	Continuous
Warranty	Two years parts and labor
Safety	Designed to meet UL458 & CSA 22.2.107.1

OPTIONS

COTS - MIL461F and MIL810G in-house

MIL461F Stand alone testing and report

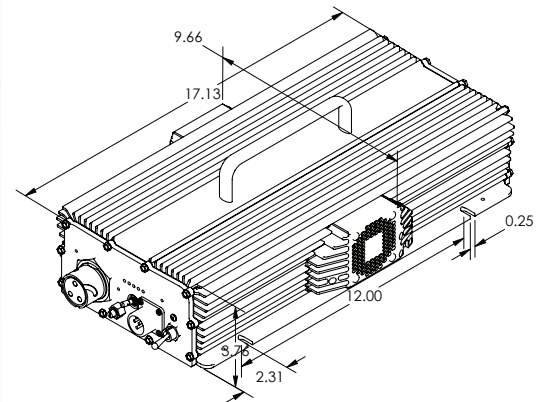
MIL810G Stand alone testing and report

European ROHS compliant
(Lead Free Manufactured)

Vented BCA1505M Military version available

Vented BCA1505 Industrial version available

DIMENSIONS



ANALYTIC SYSTEMS
Power Conversion Solutions



www.tecknowledgey.com



info@tecknowledgey.com



914.739.4499



Tecknowledgey Inc.
8 John Walsh Blvd
Peekskill, NY 10566 USA